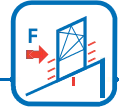
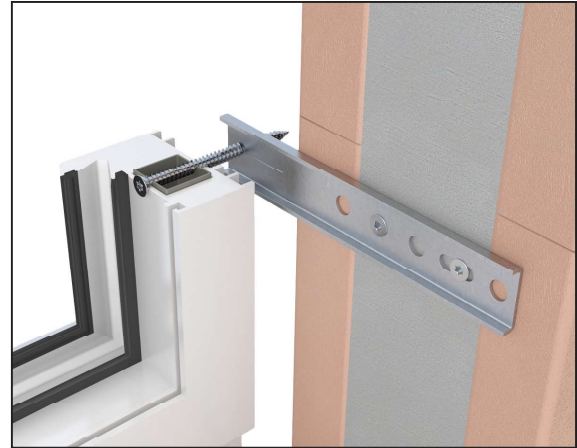


### 1 1.1. EL-Anchor - U-Profile - The Simple Solution

RC2



- simple and fast mounting of windows in the insulation layer
- suitable for all systems (aluminium, wood, plastic)
- the direct screwing through the window into the anchor is a proved wedging
- simple handling during modifications or replacing the window
- certified mounting to the masonry (hollow brick, aerated concrete brick)
- window mounting in accordance with resistance class RC2 from a material thickness of 2.5 mm
- suitable for fall-proof window mounting
- maximum load tested by ift-Rosenheim



EL-Anchor - U-Profile

Article-No.	Article name [mm] length x material thickness	Units
K-405100	EL-150x1,5 U-Profile	50
K-405100-1	EL-150x2,5 U-Profile	50
K-405102	EL-200x1,5 U-Profile	50
K-405104	EL-200x2,5 U-Profile	50
K-405104-1	EL-200x3,0 U-Profile	50
K-405105	EL-250x1,5 U-Profile	50
K-405106	EL-250x2,5 U-Profile	50
K-405106-1	EL-250x3,0 U-Profile	50
K-405107	EL-300x3,0 U-Profile	50
K-405108	EL-350x3,0 U-Profile	50



EL-150x1,5 U-Profile

**ift-Rosenheim verification number**

Tested for loads in the window layer:

11-003442-PR06 PB-K26-09-de-01, 14-002150-PR01 PB-K26-09-de-01, 18-003796-PR01 PB-K26-09-de-01

1	Material thickness	maximum load / overhang A					
		30 mm	50 mm	70 mm	100 mm	130 mm	160 mm
	1,5 mm	136 kg	80 kg	44 kg	-	-	-
	2,5 mm	175 kg	110 kg	58 kg	27 kg*	14 kg*	8 kg*
	3,0 mm	208 kg*	160 kg*	114 kg	44 kg	27 kg	14 kg

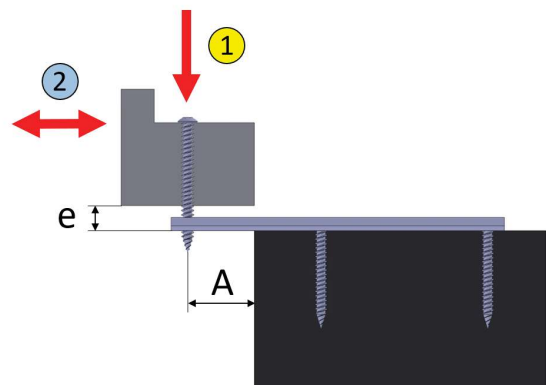
\*approximate value based on test reports

**ift-Rosenheim verification number**

Tested for loads which are perpendicular to the window layer:

18-000650-PR01 PB 04-K26-09-de-01

2	Material thickness	tested joint width e	maximum load
	2,5 mm	20 mm	157 kg



**Installation instruction**

**Preparation**

6.0 mm holes must be pre-drilled into the window frame.

**Step 1**

Place the window frame into the opening, align it and fix it by using, for example, wedges and blocks.

**Step 2**

Screw the Ø7.5 mm Window Mounting Screw through the window frame until the tip of the screw becomes visible in the window seam.

**Step 3**

The EL-Anchor with the 6.0 mm drilled hole has to be placed over the tip of the screw and the Window Mounting Screw is screwed directly into the anchor. **This connection with the Ø7.5 mm Window Mounting Screw is a wedging and RC2 resistance class approved.**

**Step 4**

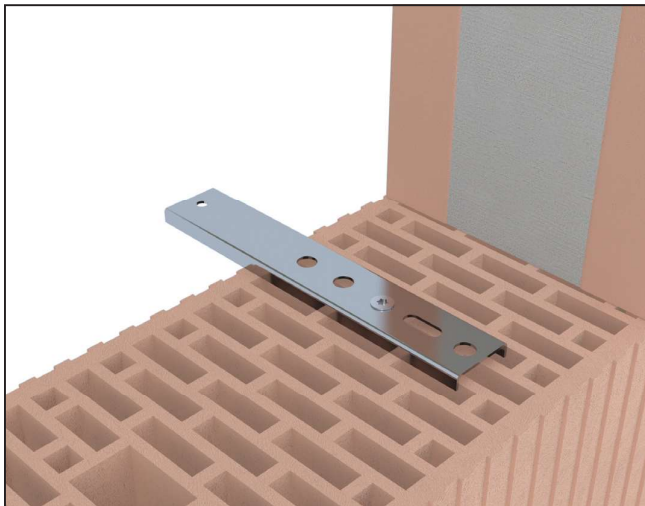
Connect the EL-Anchor with at least two mounting points to the masonry.



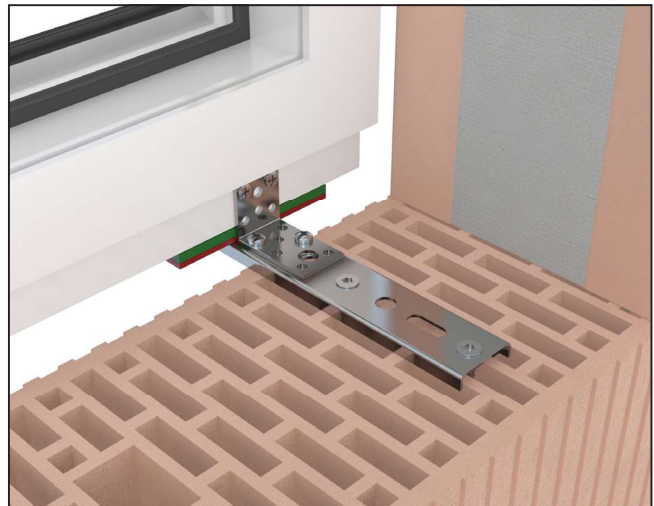
A „simple solution“ is also given when removing windows that were installed with the EL-Anchor. Simply remove the Ø7.5 mm Window Mounting Screw. The new window is mounted

onto the existing EL-Anchors. If the drilled holes no longer fit, new holes can simply be drilled into the EL-Anchor and the masonry.

**EL-Anchor as a mounting aid and window fixing below**



EL-Anchor as a mounting aid



Mounting to EL-Anchor : VBW-35x50x2,5  
Attachment to stone: V-Perforated Rail

to the video



**Associated products**



V-Perforated Rail  
page 36



VBW - Connecting Angle  
page 10



W-Sch - Angle  
Rail page 38



Drills  
page 144