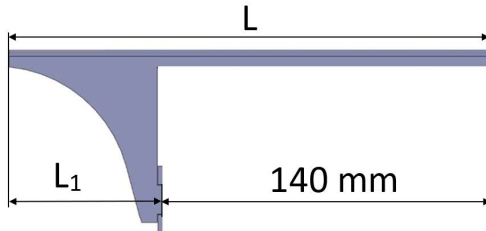
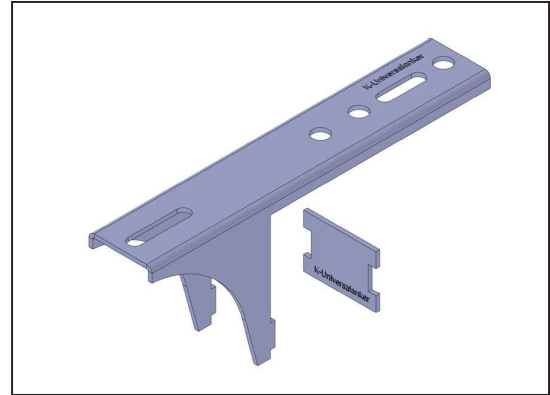


1 1.22. SL-Console - Heavy Load Bracket

- suitable for all window systems (aluminium, wood, plastic)
- offers high load transference with great overhang
- enclosed Protection Plate protects the masonry and distributes point load on area load
- maximum load tested by ift-Rosenheim
- many possible combinations with other K-Universal anchors



Dimensions, see table

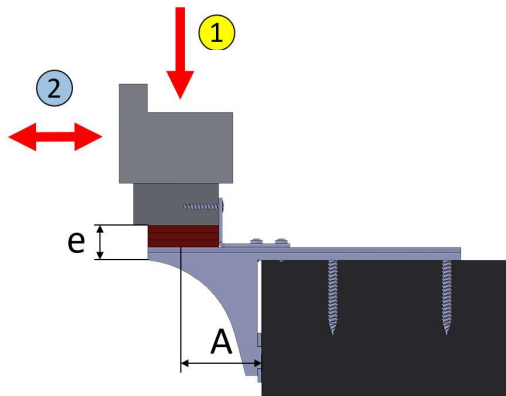
Article-No.	Article name [mm]	L [mm]	L1 [mm]	Units
K-405270	SL-Console 220-80	220	80	25
K-40527013	SL-Console 240-100	240	100	25
K-405271	SL-Console 265-125	265	125	25
K-40527126	SL-Console 290-150	290	150	25
K-405272	SL-Console 315-175	315	175	25
K-40527240	SL-Console 340-200	340	200	25
K-405273	SL-Console 365-225	365	225	25

Scope of delivery per item: 1x Heavy Load Bracket, 1x SL-Protection Plate

ift-Rosenheim verification number

Tested for loads in the window layer: 17-001190-PR01 PB 03-K26-09-de-01

1	overhang A	maximum load
	70 mm	435 kg
	110 mm	375 kg
	145 mm	342 kg

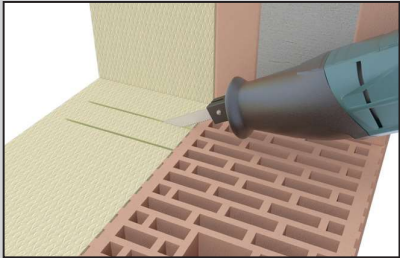


ift-Rosenheim verification number

Tested for loads which are perpendicular to the window layer:
18-000650-PR01 PB 04-K26-09-de-01

2	Article-No.	Article name [mm]	tested joint width e	maximum load
	K-405112	VBW-35x50x2,5	14 mm	139 kg

Installation instruction



Step 1
Mark the mounting position and cut it free.

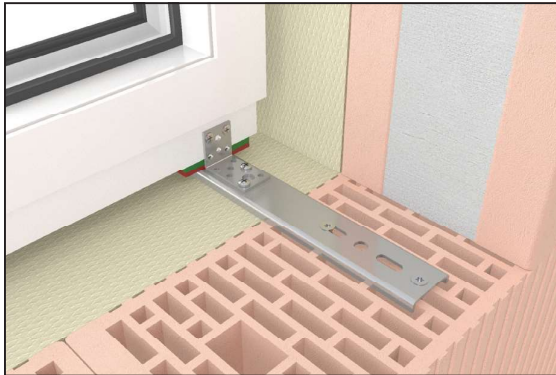


Step 2
Insert the Protection Plate. It protects softer stones and sealing from damage.



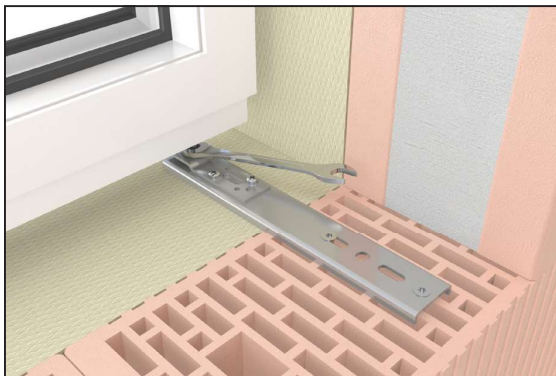
Step 3
Mount the Heavy Load Bracket into the insulation. Bridges / Protection Plate have to be placed closely to the masonry.

In combination with VBW - Connecting Angle



Screw connecting bracket to the console and the window

In combination with BAP-Adjusting Element



Easy to adjust with existing insulation

In combination with Adjusting Element



Easy adjustment



Associated products



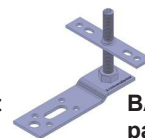
V-Perforated Rail
page 36



VBW - Connecting Angle
page 10



Adjusting Element
page 72



BAP-Adjusting Element
page 73